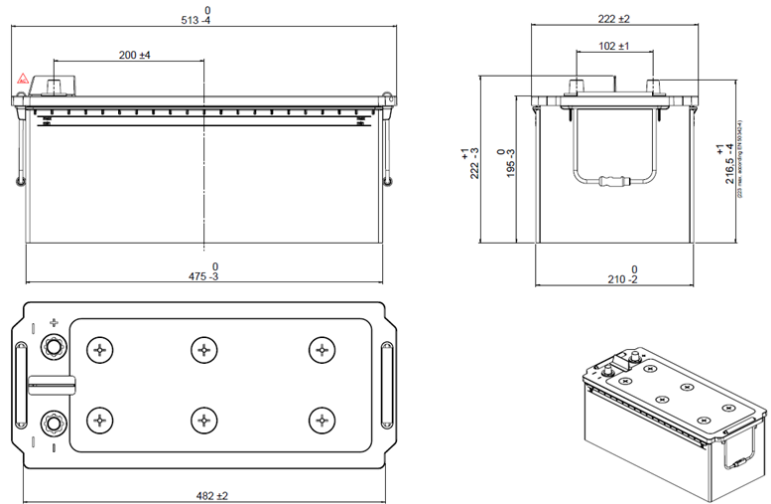


Technical Information

The Delkor DIN B – N180 is a Maintenance Free starting battery. This is a high capacity battery designed to perform in applications where run time and overall capacity is a critical requirement. Built to the unrivalled quality standards you expect from Delkor.

Although not normally required, the battery features caps which allow it to be topped up with distilled water in extreme heat applications.



Features & Benefits

- High durability plate design
- High density active material
- High tin content resists corrosion
- Low self discharge
- Patented liquid & gas separator to prevent electrolyte loss

Applications

- Road Transport
- Buses & Coaches
- Large Capacity Farm Machinery

Technical Specifications

Battery Type	Calcium Maintenance Free	Case Material / Colour	Polypropylene / Black
Voltage	12V	Lid Type / Colour	MF Accessible / Black
Capacity (20Hr)	180Ah	Plate Type	Expanded Positive & Negative Grids
CCA (-18°C, SAE)	1050CCA	Separator Type	Low Resistance PE Envelope
Reserve Capacity (25A, SAE)	320 minutes	Assembly Layout	LH Positive [+ -]
Overall Dimensions (LxWxH)	513 x 224 x 223mm	Terminal Type	SAE Standard
		Case Size	DIN B (N150)
Nominal Weight	41.7kg	Ledges	None